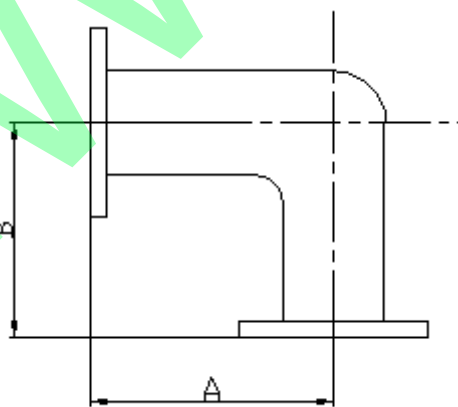
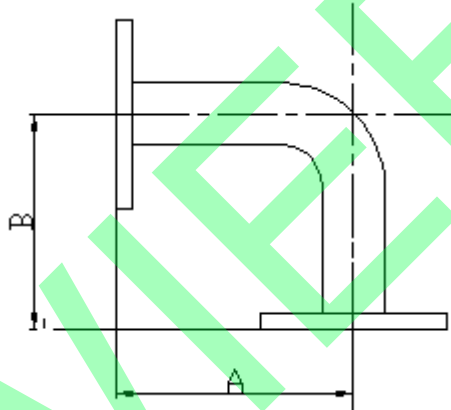
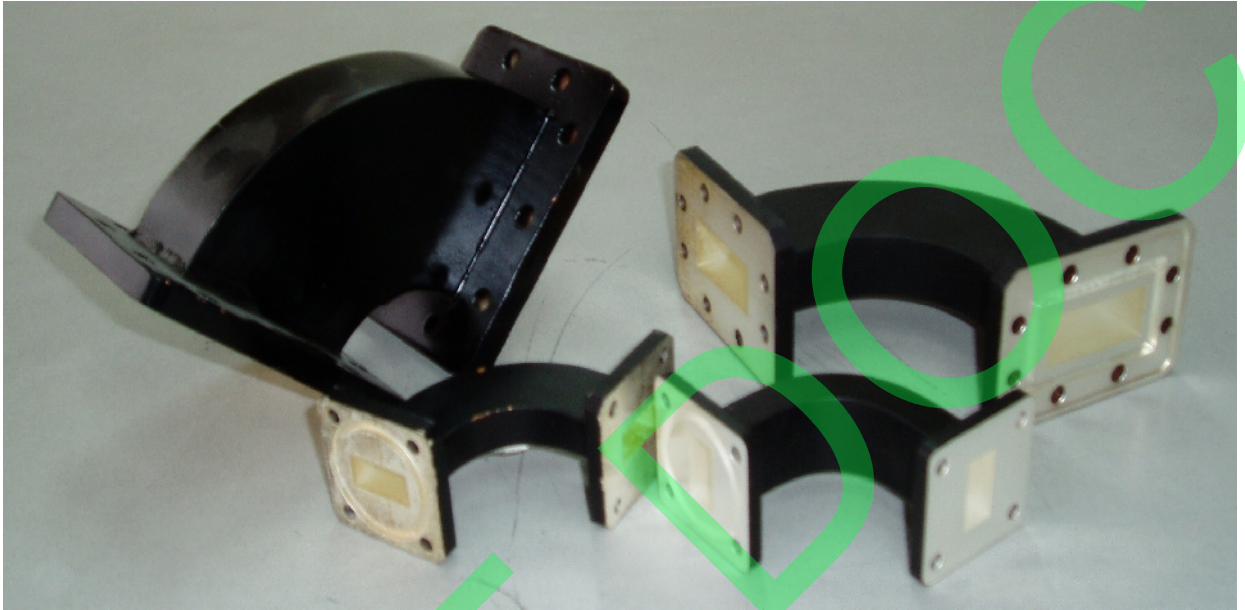


WAVEGUIDE BENDS

The bends with any angle have very low VSWR and insertion loss. The bends are available in E or H plane configurations.



90° E-Bend

90° H-Bend

Waveguide Size	Frequency (GHz)	Model No.	Waveguide Flange	Remark
WR650 (BJ14)	1.14-1.73	W650B	CPR650F/G	Unless Otherwise specified, Aluminum or Copper, Painted Black
WR510 (BJ18)	1.45-2.20	W510B	CPR510F/G	
WR430 (BJ22)	1.7-2.6	W430B	CPR430F/G	
WR340 (BJ26)	2.17-3.3	W340B	CPR340F/G	
WR284 (BJ32)	2.6-3.95	W284B	CPR284F/G	
WR229 (BJ40)	3.3-4.9	W229B	CPR229F/G	
WR187 (BJ48)	3.95-5.85	W187B	CPR187F/G	
WR159 (BJ58)	4.9-7.05	W159B	CPR159F/G	
WR137 (BJ70)	5.85-8.2	W137B	CPR137F/G	
WR112 (BJ84)	7.05-10.0	W112B	CPR112F/G	
WR90 (BJ100)	8.2-12.4	W90B	UBR100/PBR100	
WR75 (BJ120)	10.0-15.0	W75B	UBR120/PBR120	
WR62 (BJ140)	12.4-18.0	W62B	UBR140/PBR140	
WR51 (BJ180)	14.5-22.0	W51B	UBR180/PBR180	
WR42 (BJ220)	17.6-26.7	W42B	UBR220/PBR220	
WR34 (BJ260)	21.7-33.0	W34B	UBR260/PBR260	
WR28 (BJ320)	26.4-40.0	W28B	UBR320/PBR320	

ORDERING INFORMATION

1. Specify Model No. and operating frequency
2. Specify "E" or "H" band and angle
3. Specify "A" and "B" length in mm
4. Specify flange type

Ordering Example

Model No.	Bend type	AxB	Flange
W229B	H90	70x80	F or G

Example:

W229B-H90-70(F)x80(G)